

ABOUT RYNONE CASEWORK

Rynone is among the region's leading manufacturers of laminate goods. State-of-the-art technology and years of manufacturing expertise have given Rynone a distinctive edge in quality, customer service and some of the shortest lead time in the commercial cabinetry business.

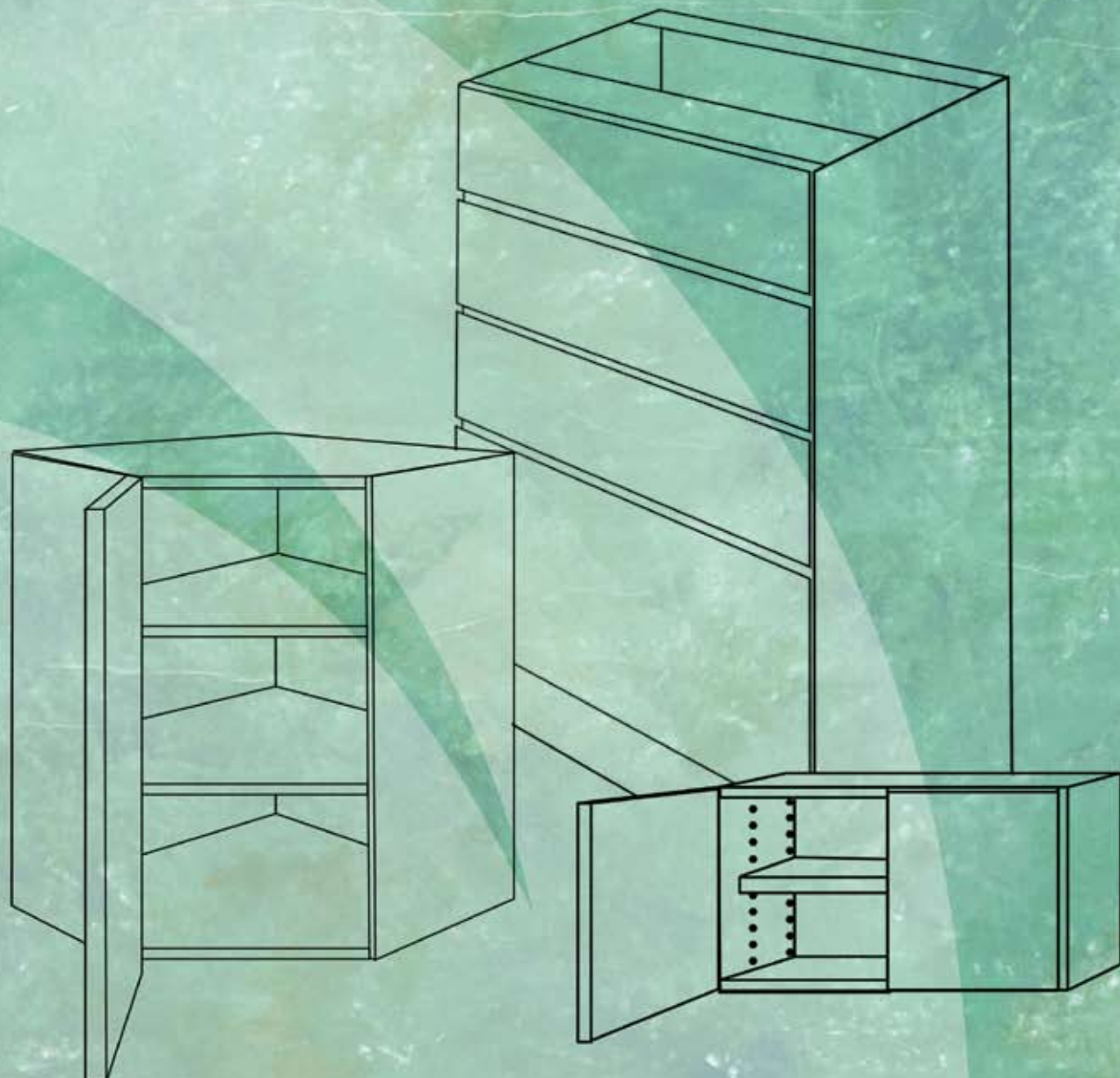
Rynone Frameless Casework is the smart choice for your needs, your budget and your schedule. For more details, and information, call Rynone at 570-888-5272 or visit www.rynone.com



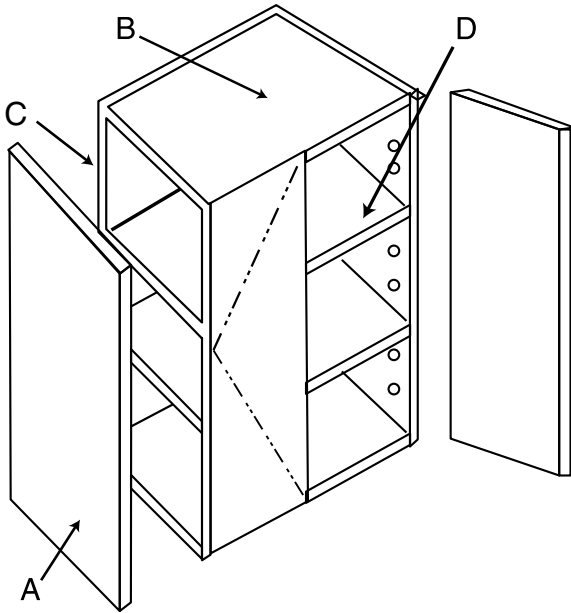
North Thomas Ave, P.O. Box 128
Sayre, Pennsylvania 18840
570-888-5272
570-888-1175 fax
www.rynone.com

 **RYNONE**®

Frameless Casework



FULL ACCESS CONSTRUCTION FEATURES FOR WALL CABINETS



A ENDS: 5/8" thick, 45 lb. density, industrial grade particleboard, clad with HP laminate exterior on all exposed and bonded with thermal fused melamine on the interior with white melamine on all white lines. The ends are PVC edge-banded on 3 sides for a finished appearance matching the exterior of the cabinet. The ends are doweled in 4 positions with 8mm dowels at each joint and secured with construction adhesive. The ends are bored for shelf adjustment. Exposed end panels require color finish same as door fronts.

B TOPS & BOTTOMS: 3/4" thick industrial grade particleboard covered with white melamine. They are both secured to the end panels in 4 positions at each joint with 8mm dowels and superior holding adhesive. They are edge-banded to match the exterior of the cabinet.

C BACKS: The backs are 5/8" overall thickness, industrial grade particleboard covered with white melamine. The outside is raw. Backs are bored and doweled into the sides for a rigid construction.

D SHELVES: All adjustable shelves are 3/4" thick industrial grade particleboard covered with white melamine. The shelf front edge is PVC edged to match the interior for a finished appearance.

DOORS: All doors are full overlay.

HINGES: Hinges are fully concealed, opening to 110 degrees to permit easy access. The hinges are self-closing and adjustable to allow six (6) different door alignments.

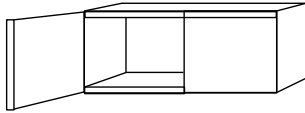
PULLS: Door and drawer pulls are required. Matching color nylon wire type pulls are standard, however, a selection of pulls is available at extra cost.

Wall cabinets over 36" wide have a center mullion.

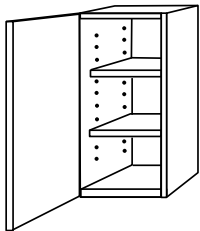
WALL UNITS

Available in White and Almond with a Flat Panel Melamine Door

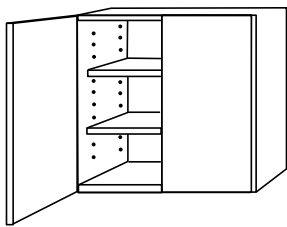
WALL CABINET with 2 Adjustable Shelves



Size	List Price	Doors
W3015	\$222	2
W3315	\$223	2
W3615	\$248	2
W3018	\$240	2

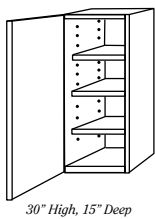


W1230	\$196	1
W1530	\$207	1
W1830	\$225	1
W2130	\$233	1
W2430	\$248	1

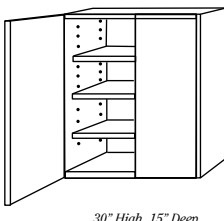


W2730	\$277	2
W3030	\$288	2
W3630	\$311	2
W4230	\$348	2
W4830	\$366	2

WALL CABINET with 3 Adjustable Shelves

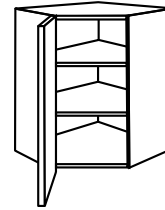


Size	List Price	Doors
W1242	\$248	1
W1542	\$259	1
W1842	\$288	1
W2142	\$296	1



W2442	\$307	2
W2742	\$385	2
W3042	\$400	2
W3642	\$429	2
W4242	\$440	2

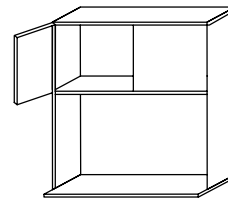
DIAGONAL WALL CABINET



30" High, 12" Deep

Size	List Price
DW2430	\$422
DW2442	\$522

MICROWAVE WALL CABINET



30" High, 15" Deep

Size	List Price
WM2430	\$194
WM2730	\$205
WM3030	\$216

FILLERS

Available in White and Almond

BASE FILLERS

Size	List Price
BCF3	\$85
BF3	\$41
BF6	\$71

TALL FILLER

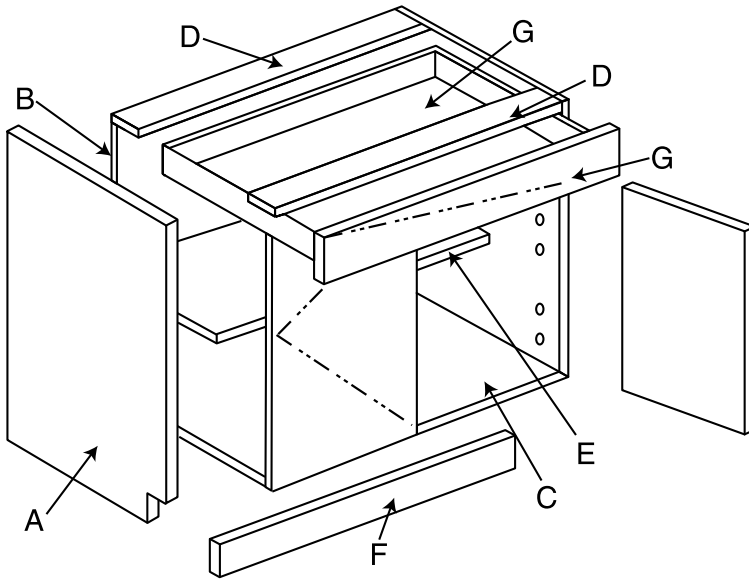
Size	List Price
TF384	\$85

WALL FILLER

Size	List Price	Size	List Price
WF630	\$77	WF330	\$40
WF642	\$96	WF342	\$48

Rynone Laminate Casework is available in additional melamine laminate colors, high pressure laminates, custom sizes and door styles. Please call for a quote on these custom options.

FULL ACCESS CONSTRUCTION FEATURES FOR BASE CABINETS



A ENDS: 5/8" thick, 45 lb. density, industrial grade particleboard, clad with HP laminate exterior on all exposed and thermal fused melamine on the interior with white melamine on all interior lines. The ends are PVC edge-banded on exposed edges for a finished appearance matching the exterior of the cabinet. The ends are doweled in 6 positions with 8mm dowels and secured with adhesive. The ends are bored for shelf adjustment.

B BACKS: 5/8" thick particleboard, melamine clad on one side, white on the white lines. Backs are bored and doweled into the sides for a rigid construction.

C BOTTOMS: 5/8" thick, 45 lb. density, industrial grade particleboard melamine impregnated on both sides, white melamine for the white lines. PVC edge-banded to match the exterior color.

D STRETCHER BRACES: 3/4" thick, 45 lb. density, industrial grade particleboard secured with 8mm dowels. Front brace is finished with white melamine on the white lines. The back stretcher brace is 5/8" thick, unfinished industrial grade particleboard.

E SHELVES: 3/4", 45 lb. density, industrial grade particleboard melamine impregnated on both sides, white melamine on the white lines. The front edges are PVC edge-banded for a finished appearance to match the interior. The shelves are half depth and are adjustable with plastic shelf clips which are included.

F TOE KICKS: 5/8" thick, 45 lb. density, industrial grade particleboard, HP laminate on the exposed side overlaying the front end panel notched back 1-3/4". All bases require overlay toe plates matching cabinet.

G STANDARD DRAWERS: Drawer box sides and ends are 5/8" white melamine on 45 lb. industrial particleboard sides & ends are doweled with 8mm dowels and secured with superior holding adhesive. Drawer bottoms are 65 lb. tempered white masonite for rigidity. The drawer front can be adjusted for both height and side to side connections.

STANDARD DRAWER CASE GLIDES: Drawer case glides are bottom mounted steel guides with white gloss epoxy coating paint for protection. The drawer rests and is anchored on the slide portion of the guide system. The mating portion of the slide is attached to the cabinet side. The glides are rated to support 75 lb. and feature a manufacturer's lifetime warranty.

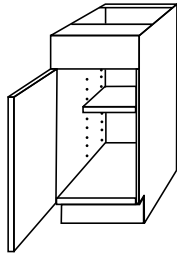
HINGES: Hinges are fully concealed, opening up to 110 degrees permitting easy access. The hinges are self-closing and adjustable to allow six (6) different door alignments.

PULLS: Door and drawer pulls are required. Matching color nylon wire type pulls are standard, however, a selection of pulls is available at extra cost.

BASE UNITS

Available in White and Almond with a Flat Panel Melamine Door

1 DOOR BASE CABINET with Adjustable Shelf



34-1/2" High, 24" Deep

Size List Price

B12 — \$266

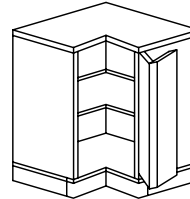
B15 — \$281

B18 — \$300

B21 — \$314

B24 — \$388

PIE CORNER BASE

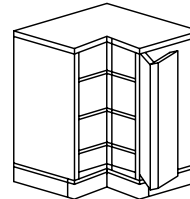


34-1/2" High, 24" Deep

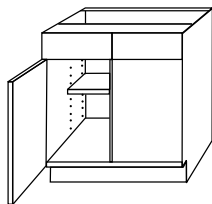
Size List Price

PC36B — \$703

PCB36LS — \$795



2 DOOR BASE CABINET



34-1/2" High, 24" Deep

Size List Price

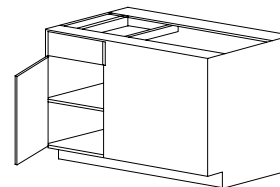
B30 — \$404

B36 — \$464

B42 — \$507

B48 — \$540

BLIND BASE



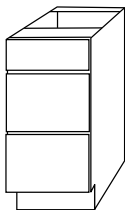
34-1/2" High, 24" Deep

Size List Price

BLB42 — \$414

BLB48 — \$444

3 DRAWER BASE



34-1/2" High, 24" Deep

Size List Price

3DB12 — \$433

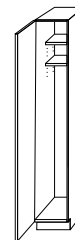
3DB15 — \$444

3DB18 — \$462

3DB21 — \$481

3DB24 — \$500

BROOMER



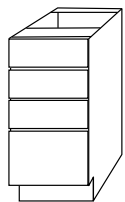
34-1/2" High, 24" Deep

Size List Price

BR1884 — \$588

BR2484 — \$644

4 DRAWER BASE



34-1/2" High, 24" Deep

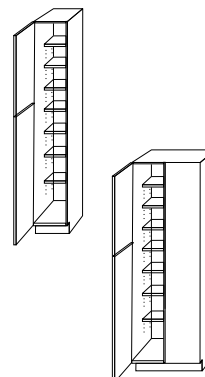
Size List Price

4DB12 — \$562

4DB15 — \$574

4DB18 — \$596

UTILITY CABINET 24" Deep



Size List Price

UC1284 — \$504

UC1584 — \$523

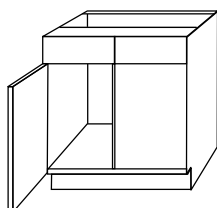
UC1884 — \$542

Size List Price

UC2484 — \$568

UC3084 — \$583

SINK BASE



34-1/2" High, 24" Deep

Size List Price

SB30 — \$296

SB36 — \$322

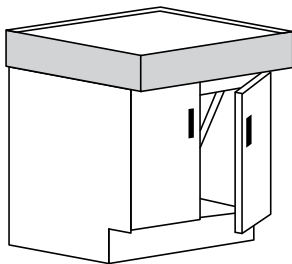
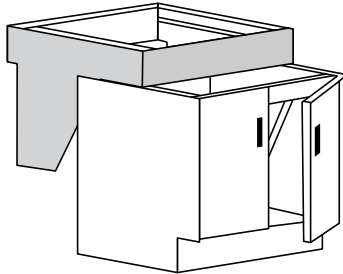
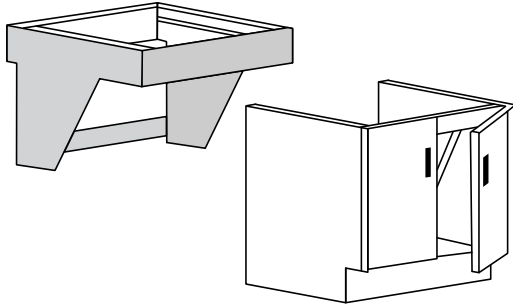
SB42 — \$340

SB48 — \$396

Rynone Laminate Casework is available in additional melamine laminate colors, high pressure laminates, custom sizes and door styles. Please call for a quote on these custom options.

ADAPTABLE VANITY BAR & BASE UNITS

Available in White and Almond with a Flat Panel Melamine Door



HANDICAP ADAPTABLE VANITY BAR & BASE

Cabinet Specifications:

Cabinet base is a 32mm bore & dowel box construction of 5/8" substrate board with concealed European hinges. The vanity bar material is 5/8" substrate finished on all exposed surfaces. System sizes may range from 1816 thru 3021 by 32 inches high in mini, slim line, and standard vanity depths.

Size	Doors	White Melamine on Particleboard List Price	Laminate on Particleboard List Price	Laminate on Plywood List Price
1816	1 Door	\$259	\$315	\$369
1816	2 Door	\$286	\$343	\$378
2418	2 Door	\$296	\$381	\$429
3018	2 Door	\$353	\$434	\$483
3618	2 Door	\$386	\$458	\$525
2421	2 Door	\$331	\$411	\$459
3021	2 Door	\$372	\$444	\$496
3621	2 Door	\$397	\$474	\$541

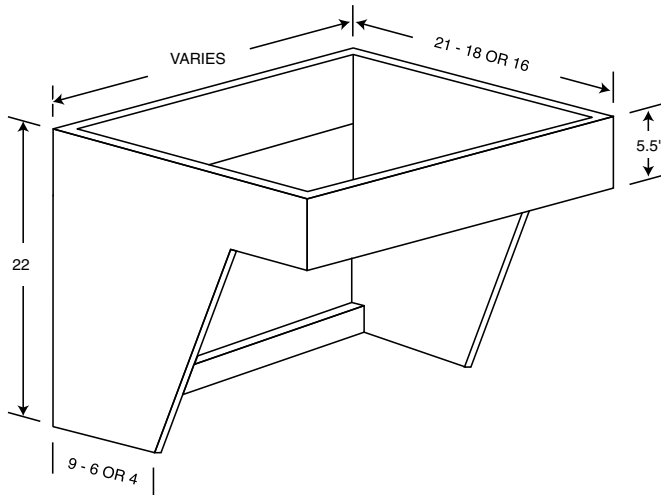
All Sink Bases are 1/4" Less Than Nominal Size with exception of 1816 Sink Base

Rynone Laminate Casework is available in additional melamine laminate colors, high pressure laminates, custom sizes and door styles. Please call for a quote on these custom options.

VANITY BARS & WALL MOUNTED VANITIES

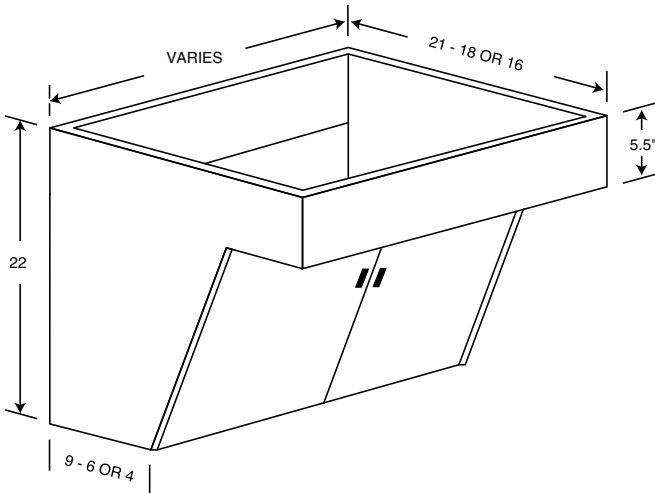
Available in White and Almond with a Flat Panel Melamine Door

HANDICAP VANITY BARS



Size	White Melamine on Particleboard List Price	Laminate on Particleboard List Price	Laminate on Plywood List Price
1816	\$95	\$137	\$144
2418	\$119	\$163	\$174
3018	\$124	\$169	\$181
3618	\$129	\$179	\$193
2421	\$124	\$172	\$185
3021	\$129	\$178	\$193
3621	\$149	\$205	\$218
4221	\$154	\$210	\$228
4821	\$159	\$217	\$237

HANDICAP WALL MOUNTED VANITY BARS



Size	White Melamine on Particleboard List Price	Laminate on Particleboard List Price	Laminate on Plywood List Price
1816*	\$168	\$196	\$240
1816	\$184	\$211	\$259
2418	\$205	\$231	\$311
3018	\$218	\$256	\$321
3618	\$240	\$279	\$356
2421	\$224	\$262	\$323
3021	\$238	\$274	\$342
3621	\$257	\$301	\$381
4221	\$275	\$330	\$409
4821	\$286	\$350	\$433

Note: Removable plumbing panel instead of doors.

*Single door

CONSTRUCTION: All cabinets are 32mm bored & doweled frameless type construction.
All vanity cabinets will have open backs for plumbing.

Rynone Laminate Casework is available in additional melamine laminate colors, high pressure laminates, custom sizes and door styles. Please call for a quote on these custom options.

VANITY BASE UNITS

Available in White with a Flat Panel Melamine Door

VANITY CABINETS

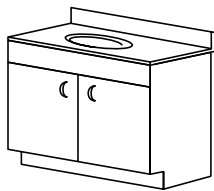
- All vanity cabinets are of the frameless design.
- All vanities have finished interiors and edge-banded.
- Full depth cut out toe kick.
- Heavy duty deluxe drawer glides.
- Constructed with 5/8" melamine laminated panel, hardwood dowels, glued and pinned with no exposed screw caps.
- The very finest in bathroom furniture.

VANITY WITH ONE DOOR



Size	List Price
V 1816-1dr	\$119

VANITY WITH TWO DOORS

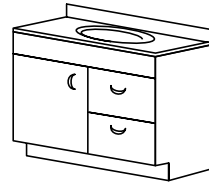


Size	List Price
V 1816-2dr	\$139
V 2421-2dr	\$175
V 2418-2dr	\$175
V 3021-2dr	\$194
V 3018-2dr	\$194
V 3621-2dr	\$212
V 3618-2dr	\$212
V 4221-2dr	\$251
V 4218-2dr	\$251
V 4821-2dr	\$267
V 4818-2dr	\$267

LEGEND:

V - Vanity
W - Walette
VT - Vanity with Drawers
DR - Door
DWR - Drawer

VANITY WITH ONE DOOR AND TWO DRAWERS



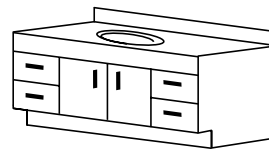
Size	List Price
VT 2421-1dr, 2dwr	\$320
VT 2418-1dr, 2dwr	\$320
VT 3021-1dr, 2dwr	\$344
VT 3018-1dr, 2dwr	\$344

VANITY WITH TWO DOORS AND TWO DRAWERS



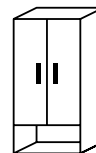
Size	List Price
VT 3621-2dr, 2dwr	\$380
VT 3618-2dr, 2dwr	\$380
VT 4821-2dr, 2dwr	\$404
VT 4818-2dr, 2dwr	\$404

VANITY WITH TWO DOORS AND FOUR DRAWERS



Size	List Price
VT 4821-2dr, 4dwr	\$529
VT 4818-2dr, 4dwr	\$529

WALLETTE WITH TWO DOORS

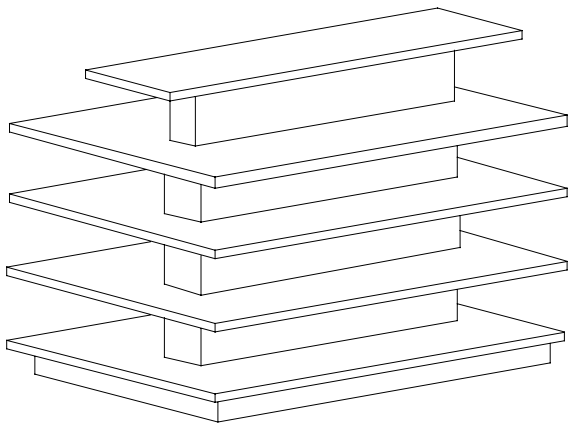


Size	List Price
W 2430-2dr	\$130

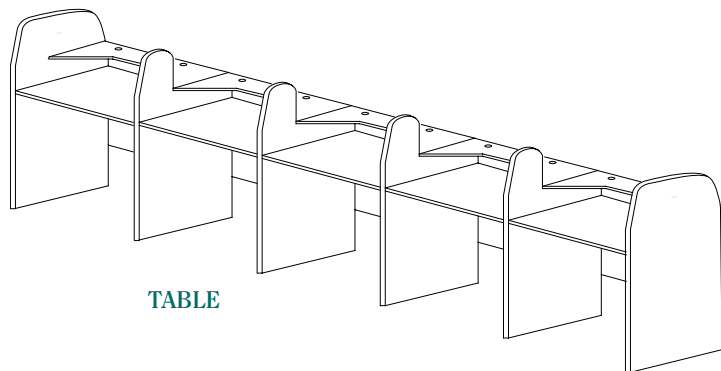
Rynone Laminate Casework is available in additional melamine laminate colors, high pressure laminates and custom sizes. Please call for a quote on these custom options.

CUSTOM DESIGN AND MANUFACTURING FOR COMMERCIAL AND INSTITUTIONAL APPLICATIONS

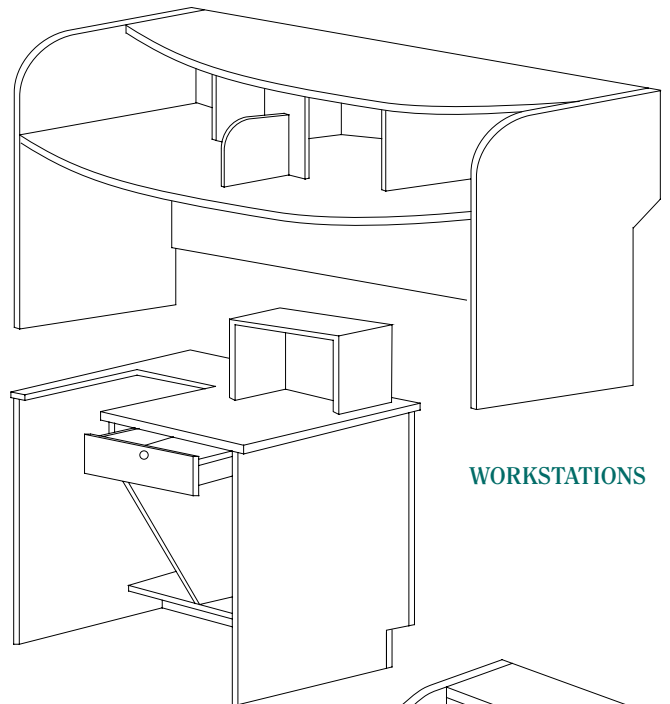
In addition to our in-stock line of casework, Rynone also offers quality laminate custom work for retail and commercial applications. From worktables and stations, built to order, to store fixtures and commercial lavatory vanities, Rynone builds it to spec and to budget. Call us for a quote on your custom work today.



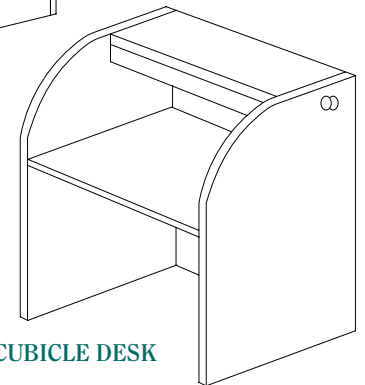
STORE DISPLAY



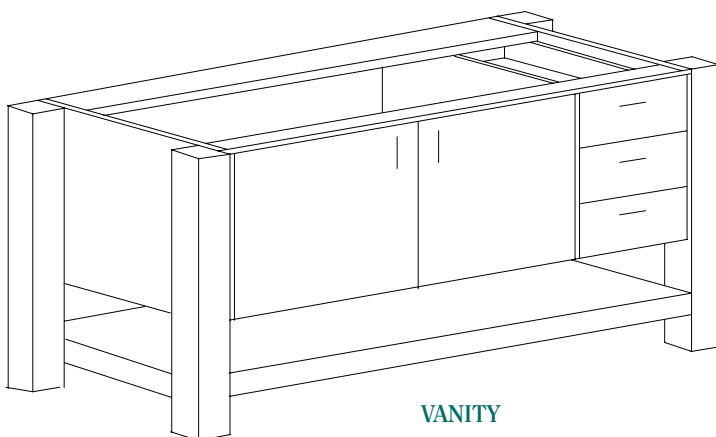
TABLE



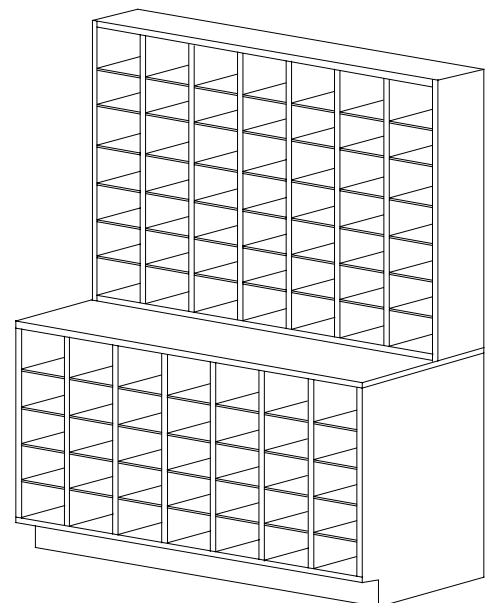
WORKSTATIONS



CUBICLE DESK



VANITY



SORTING

Notes:

Notes: