

FLEXLINE™

ADA-COMPLIANT CONVERTIBLE VANITY CABINET



THE PERFECT COMBINATION

With a Flexline™ vanity combo, you can save time, expense and coordination hassles, while meeting ADA requirements.

EASILY CONVERTED

When a new resident requires an ADA-compliant vanity, or a current occupant's needs change, the Flexline can be easily converted in minutes using just a screwdriver. If wheelchair access is no longer needed, the Flexline can be changed back just as easily.

PERFECT FOR

- Retirement Communities
- Public Housing
- Residential Developments
- Any Facilities Serving Those with Physical Limitations

QUICK DELIVERY

You don't have to wait when you order Flexline by Rynone. Whether you order one or 100, your Flexline vanity cabinets and tops will arrive within three weeks. Expedited delivery can occur with special arrangements.

Shown on this page: Formica 9240-58 Cherry Heartwood Laminate Vanity Cabinet, Wheat Granite Top with Bisque Porcelain Bowl.

Faucet and hardware not included.

FLEXLINE™

ADA-COMPLIANT CONVERTIBLE VANITY CABINET



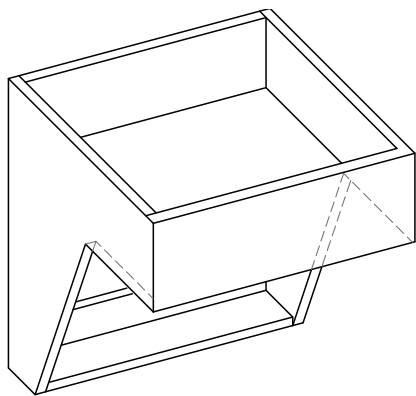
Shown above: Natural Birch Wood Veneer Vanity Cabinet, Solid White Cultured Marble Top with Integral Bowl. Faucet and hardware not included.

EIGHT REASONS TO CHOOSE FLEXLINE CONVERTIBLE VANITY CABINETS

- 1 | **Convenient Versatility** / One vanity offers ADA compliance and stylish functionality for everyone.
- 2 | **Budget-Friendly** / Affordably priced, lowest long-term investment.
- 3 | **Simple Setup** / Installation and conversion can be done by anyone.
- 4 | **Beautiful Selection** / Design options for any décor from basic to luxurious.
- 5 | **Fast Delivery** / In three weeks or less.
- 6 | **Single Source** / One expert source for vanity cabinet and top.
- 7 | **Order Flexibility** / Large and small orders welcome.
- 8 | **Full Compliance** / Meets all ADA and Fair Housing Accessibility Guidelines.

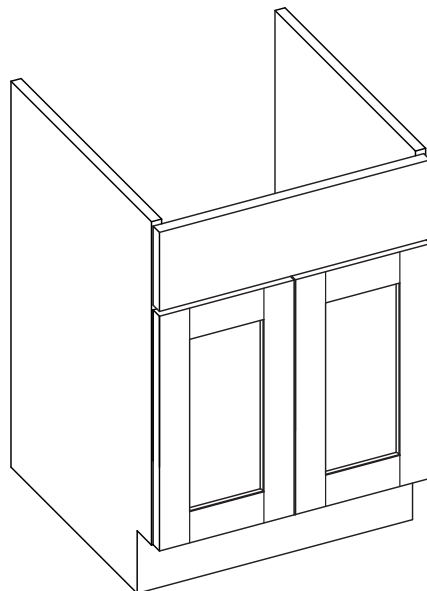
FLEXLINE™

HOW IT WORKS



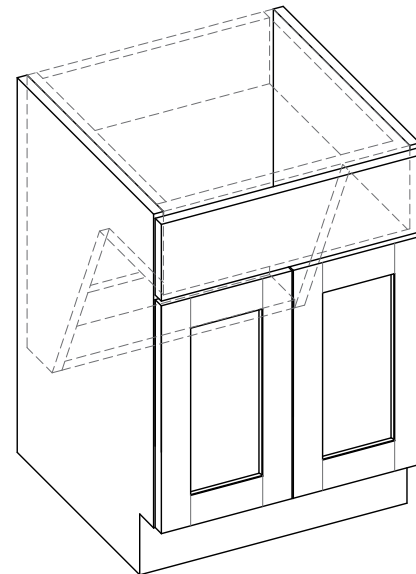
ADA VANITY

ADA vanity is available by itself without the removable base cabinet.



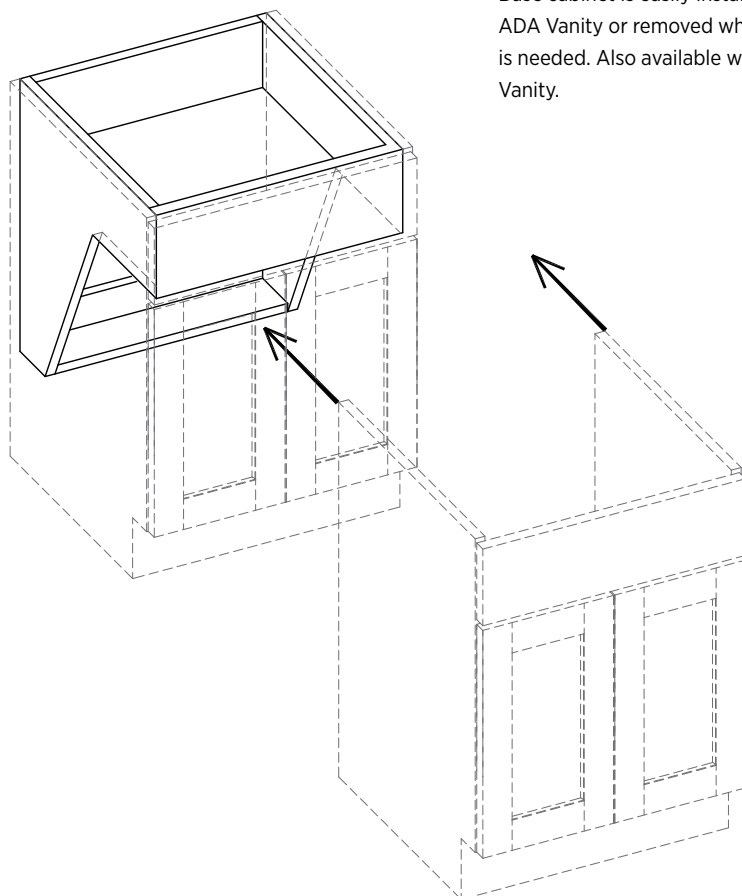
BASE CABINET

Base cabinet is easily installed over the ADA Vanity or removed when accessibility is needed. Also available without the ADA Vanity.



VANITY CABINET ASSEMBLED

Two smart vanity options in one clever, compact design.



VERSATILE DESIGN OPTIONS

Flexline convertible vanity cabinets come in an attractive range of complementary design options. Choose from several sizes, materials, finishes, and drawer and door styles.

CUSTOM OPTIONS

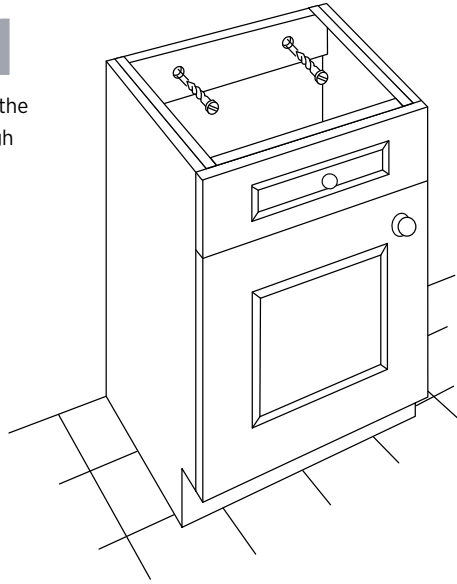
Other custom options are also available by contacting a Rynone customer care specialist at (570) 888-5272 or CustomerService@FlexlineVanityCabinet.com.

INSTALLATION IN 2 EASY STEPS

Flexline vanity cabinets are ready to install right out of the box. It's so simple that just about anyone can do it.

STEP 1

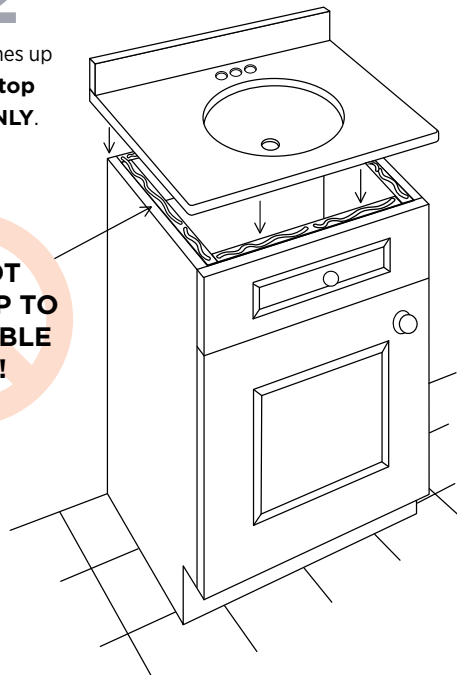
Attach the level cabinet to the wall using 3" screws through mounting rails.



STEP 2

Ensure that the vanity top lines up and fits securely, then **glue top to the wall-hung unit ONLY**.

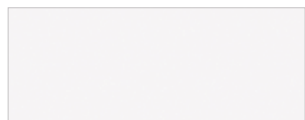
**DO NOT
GLUE TOP TO
REMOVABLE
BASE!**



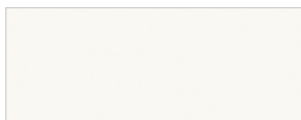
CONVERSION IS A SNAP

Just remove two screws, slide off the removable base cabinet, and store until it is needed again. No drilling, cutting, gluing or marring of any surfaces.

VANITY CABINET COLORS



949-58 White



7197-58 Dover White



9285-58 White Twill



927-58 Folkstone



961-58 Fog



8826-58 Neutral Twill



5883-58 Pecan Woodline



8845-58 Bleached Legno



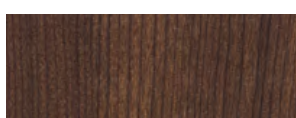
5488-NT Smoky Brown Pear



7012-58 Amber Maple



5884-58 Chestnut Woodline



5886-43 Sorrel Cherry



Real Wood Veneer / Oak



Real Wood Veneer / Maple

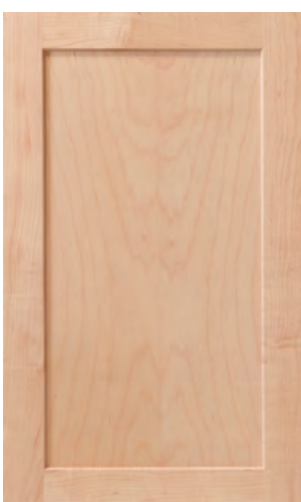


Real Wood Veneer / Cherry

DOOR AND DRAWER FRONT STYLES



Melamine, Laminate, or Real Wood Veneer Slab Door



Real Wood Veneer Shaker Flat Panel



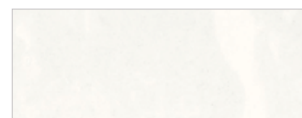
Real Wood Veneer Raised Panel

Wood and granite are products of nature; variations in grain, pattern and color are inevitable. Cultured marble is a man-made product that will vary in pattern.

VANITY TOP COLORS



Cultured Marble / Solid White



Cultured Marble / White-on-White



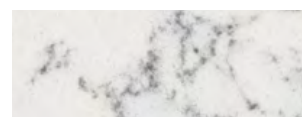
Granite / Meteorite



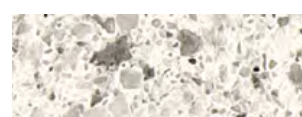
Granite / Burlywood



Granite / Wheat



Quartz / Carrara Verta



Quartz / Ocean Grey



Quartz / Iceberg

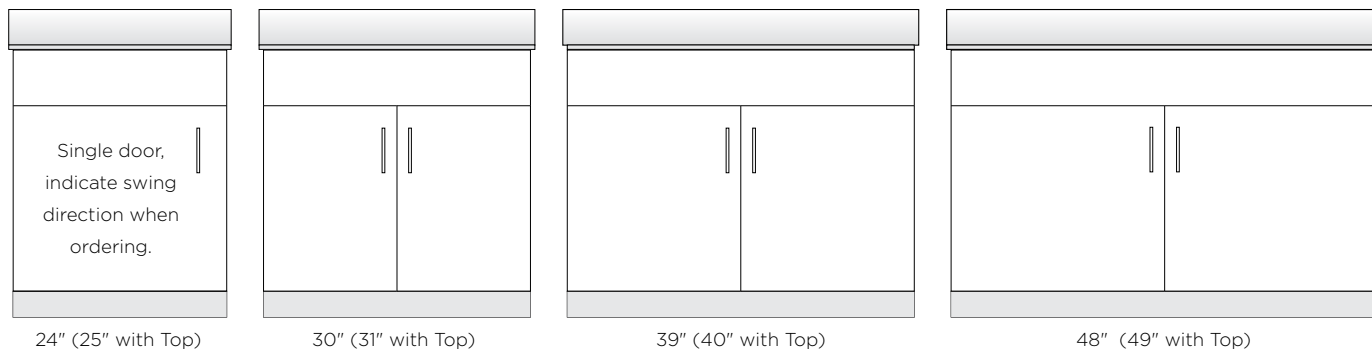
Cultured Marble Tops come with integral bowls the same color as the top. Other color options are available.

SPECIFICATIONS

Flexline Convertible Vanity Cabinets come in eight standard widths: 24", 27", 30", 33", 36", 39", 42" and 48" (Four sizes are illustrated below.)

Vanity Cabinet height – 32½" (without top)

Vanity Cabinet depth – 21" (without top)



COMBINATIONS

Rynone Flexline Vanity Cabinets can be ordered as a combination or as individual components:

- Base Cabinet + ADA Vanity + Vanity Top
- Base Cabinet + Vanity Top
- ADA Vanity + Vanity Top
- ADA Vanity Only
- Base Cabinet Only
- Vanity Top Only

VALUE OPTIONS

Flexline offers Vanity Cabinet and Top options for every budget and design preference.

Beautiful Economy – Laminate Cabinet/Doors + Cultured Marble Top provide beautiful economy

Mix and Match – Laminate Cabinet/Doors + Granite Vanity Top, or Wood Veneer Cabinet + Solid Wood Doors + Cultured Marble Top

For a Luxury Look – Wood Veneer Cabinet + Solid Wood Doors + Granite Top

PLYWOOD OR PARTICLE BOARD CONSTRUCTION

STOCK ITEMS (LAMINATE)

- All ¾" components
- Concealed hinges
- Cabinet pulls not included

NON-STOCK ITEMS (WOOD VENEER)

- All ¾" plywood construction
- Concealed hinges
- Door/drawer front style
- Cabinet pulls not included

VANITY TOP SPECS

- Cultured Marble Tops come with integrated bowl and 4" backsplash.
- Granite Tops come with standard undermount porcelain bowl and 4" loose backsplash.
- Depth – 22¼"
- Thickness – ¾"

INSTALLATION

- Locate 2 wall studs to attach cabinet.
- Set cabinet to ensure it is level.
- Screw cabinet into studs using, at a minimum, 3" screws at upper and lower mounting rail.
- Before installing the vanity top, ensure it fits securely before gluing.
- Glue vanity top to wall-hung unit.
- **Do not glue top to removable base.**

BOX SIZES AND WEIGHTS (IN LBS.)

Cultured Marble		Granite		Cabinet	
Size	Weight	Size	Weight	Size	Weight
25	34.0	25	59.0	24	68.0
28	36.4	28	66.0	27	70.0
31	40.3	31	73.1	30	71.5
34	44.2	34	80.2	33	73.5
37	48.1	37	87.3	36	75.0
40	52.0	40	94.3	39	76.5
43	55.9	43	101.4	42	78.0
49	63.7	49	115.6	48	81.0

For more information or custom options, please contact us at (570) 888-5272 or CustomerService@FlexlineVanityCabinet.com