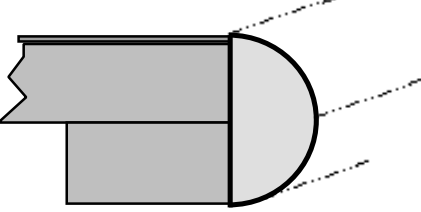
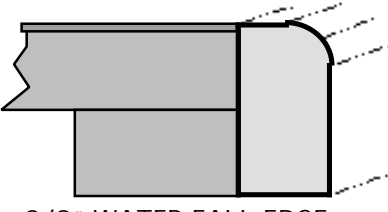
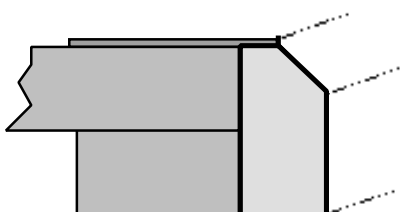
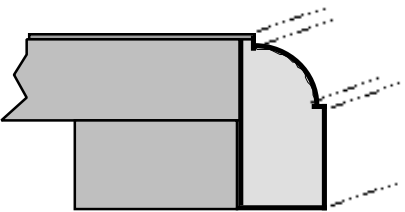
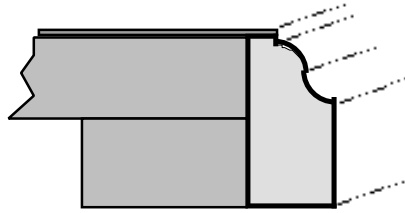
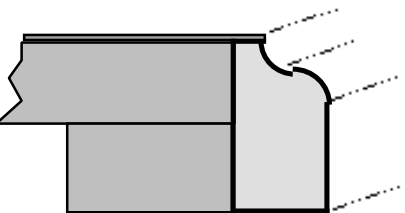
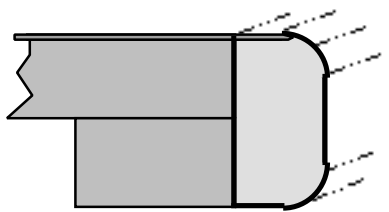
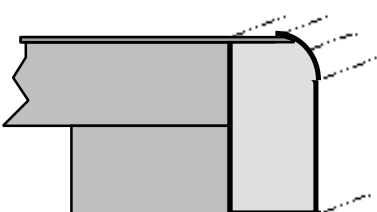


Net Price Jan 31, 190:

**STANDARD SOLID OAK WOOD EDGE PROFILES**

ALL WOOD EDGES FINISHED NATURAL

CHECK BOX TO INDICATE PROFILE

 <p><b>BULLNOSE EDGE</b> ADD PER LIN FT. TO STD. SELFEDGE PRICE <input type="checkbox"/> <b>1</b></p>	 <p><b>3/8" WATER FALL EDGE</b> ADD PER LIN FT. TO STD. SELFEDGE PRICE <input type="checkbox"/> <b>2</b></p>
 <p><b>3/8" BEVEL EDGE</b> ADD PER LIN FT. TO STD. SELFEDGE PRICE <input type="checkbox"/> <b>3</b></p>	 <p><b>BEADED EDGE</b> ADD PER LIN FT. TO STD. SELFEDGE PRICE <input type="checkbox"/> <b>4</b></p>
 <p><b>ROMAN OGEE EDGE</b> ADD PER LIN FT. TO STD. SELFEDGE PRICE <input type="checkbox"/> <b>5</b></p>	 <p><b>OGEE EDGE</b> ADD PER LIN FT. TO STD. SELFEDGE PRICE <input type="checkbox"/> <b>6</b></p>
 <p><b>DOUBLE 3/8" WATER FALL EDGE</b> ADD PER LIN FT. TO STD. SELFEDGE PRICE <input type="checkbox"/> <b>7</b></p>	 <p><b>3/8" WATER FALL EDGE</b> ADD PER LIN FT. TO STD. SELFEDGE PRICE <input type="checkbox"/> <b>8</b></p>

NOTE: FOR OTHER WOOD SPECIES, STAIN COLORS, AND/OR PROFILES PLEASE CALL FOR QUOTE.

CUSTOMER NAME: \_\_\_\_\_ APPROVED BY: \_\_\_\_\_

DATE: \_\_\_\_\_

**North Thomas Ave. PO Box 128 Sayre, PA 18840 USA-Tel (570) 888-5272 Fax (570) 888-1175**  
www.rynone.com